

# SZ15 Series Pillar Ambient Light



## I. Overview

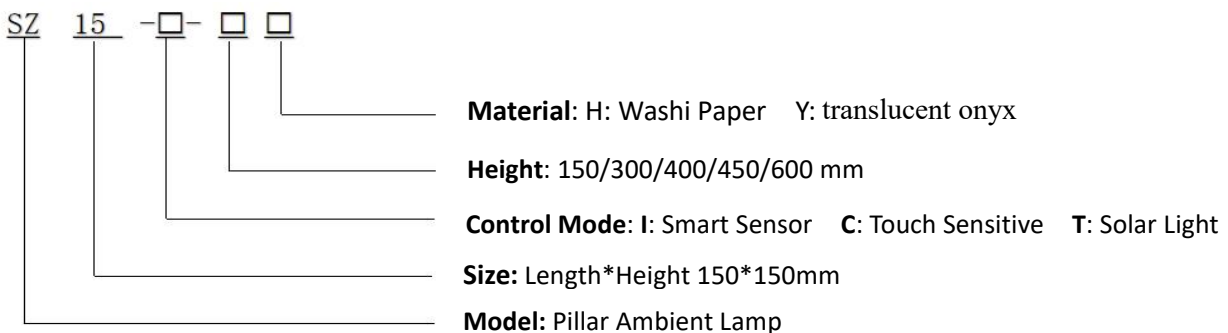
The SZ15 series pillar ambient lamp is crafted from natural stone, extracted and processed using specialized techniques to preserve the inherent characteristics of the material. With a variety of color options available, each lamp is uniquely patterned due to the distinct nature of the stone used.

The SZ15 series pillar ambient lamp can also be made with Washi paper light guides, utilizing a splicing technique, and offering a selection of Washi paper patterns. This results in a product that is aesthetically pleasing and elegant.

Additionally, the SZ15 series pillar ambient lamp can be constructed using translucent onyx panels, again through splicing techniques, with various color and pattern options, ensuring a smooth and attractive finish.

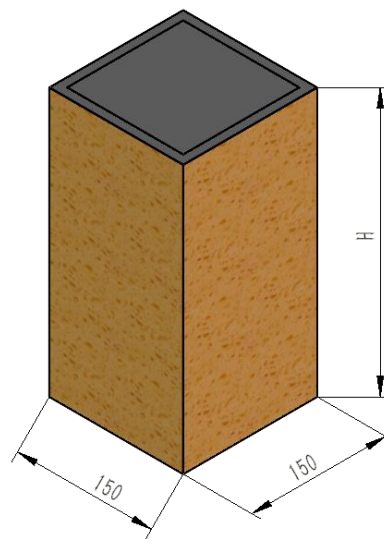
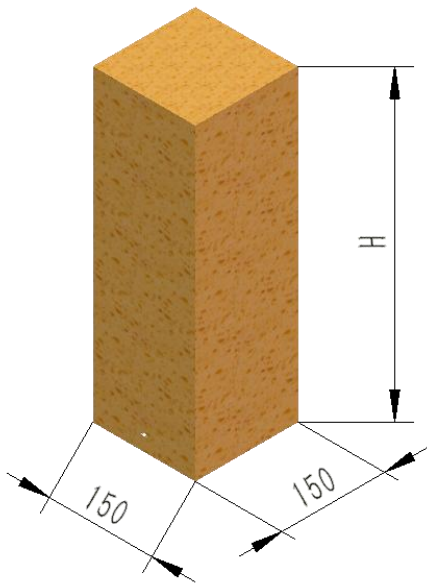
The control system is based on a self-developed module, offering multiple control options, including microwave sensing, remote control, touch control, solar control, and 220V switch control. It also allows for a wide range of color temperature adjustments, making it suitable for use in residence, restaurants, hotels, bars, art spaces, campsite and etc.

## II. Model Meaning



### III. Product Specifications

Product Model	Length*Width mm	Height/mm	Voltage/V	Color Temperature K	Power/W	Control Mode
SZ15-150S natural stone	150 x 150	150	DC5V	3000-6000K dual color temperature adjustable	1-3	smart sensor touch-sensitive
	150 x 150	300				
	150 x 150	400				
	150 x 150	450				
	150 x 150	600				
SZ15-150H Washi paper	150 x 150	150	DC5V	3000-6000K dual color temperature adjustable	1-3	touch-sensitive
	150 x 150	300				
	150 x 150	400				
	150 x 150	450				
	150 x 150	600				
SZ15-150Y translucent onyx	150 x 150	150	DC5V	3000-6000K dual color temperature adjustable	1-3	touch-sensitive
	150 x 150	300				
	150 x 150	400				
	150 x 150	450				
	150 x 150	600				
SZ15-150T solar system	150 x 150	150	DC5V	3000K	1-3	solar control system
	150 x 150	300				
	150 x 150	400				
	150 x 150	450				
	150 x 150	600				





Cold Light



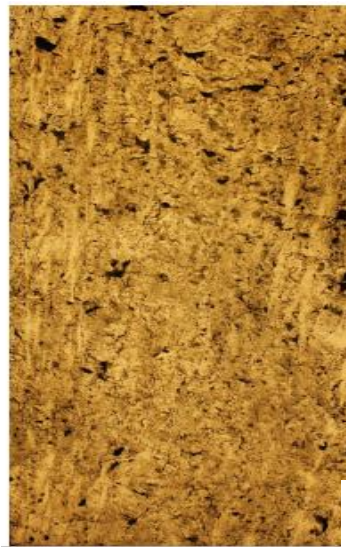
Natural Light



Warm Light



Cold Light



Natural Light



Warm Light



Cold Light

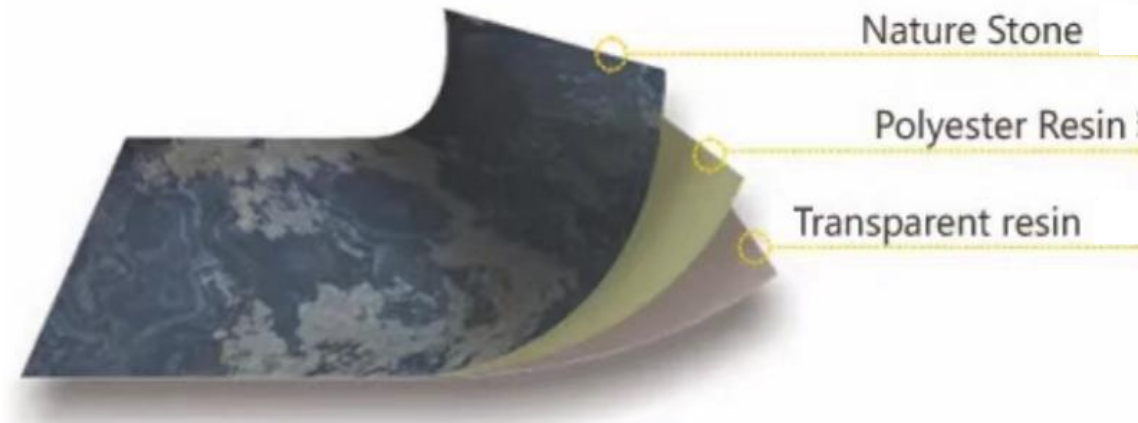


Natural Light



Warm Light





Translucent natural stone is a new type of composite material, typically with a thickness ranging from 0.1 to 2.0 mm. It consists of a 100% natural stone surface combined with a backing board. Unlike imitation stone products, this ultra-thin stone is not a fabricated material. Instead, it is created by leveraging the layering properties of rocks and using nanotechnology to peel off layers from natural rock, preserving the stone's natural patterns and textures. Each pattern is unique and not a printed imitation of stone.

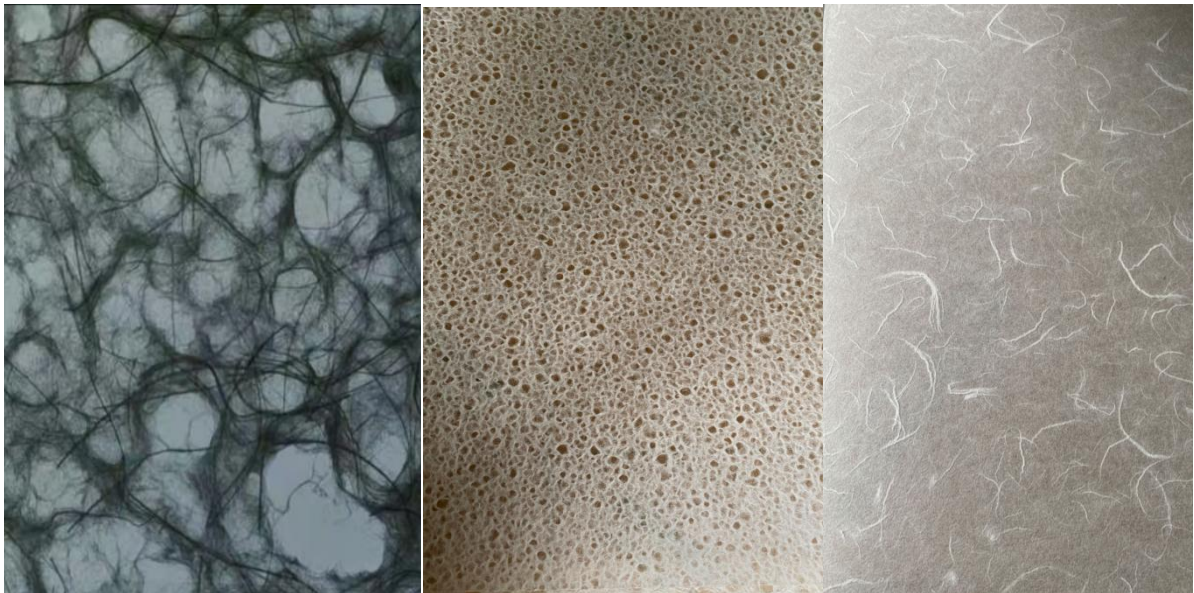
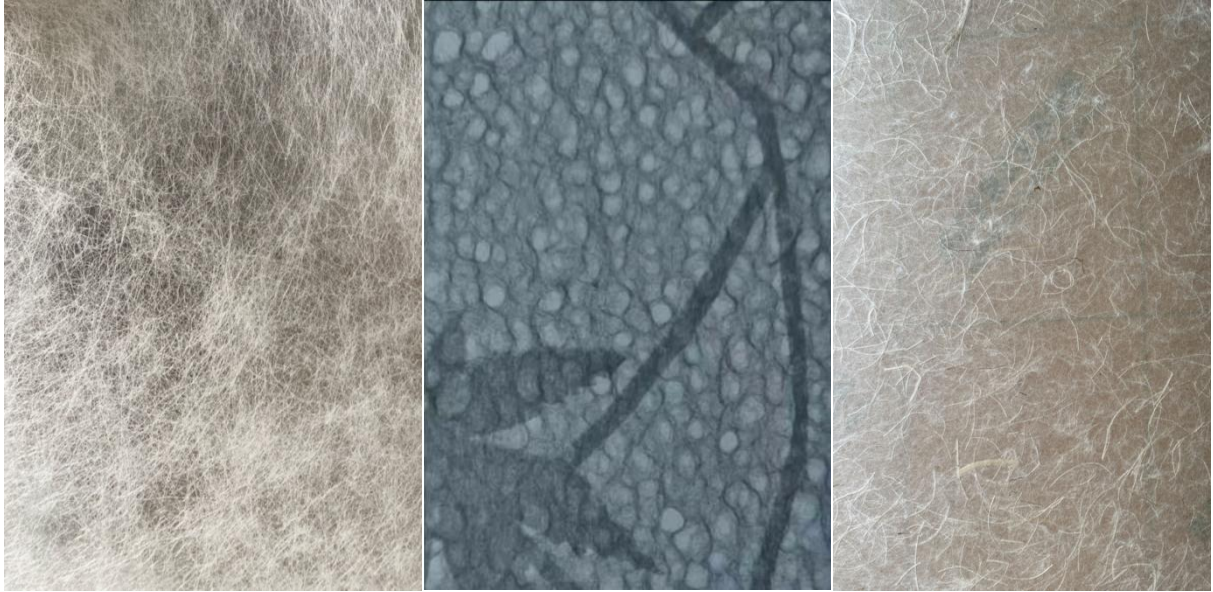
Translucent stone, as a new composite material, is made from polymer materials. Similar to artificial stone, it incorporates light-transmitting resin. The patterning process is akin to that of synthetic jade, and the composition is essentially the same as that of crystal stone.

Compared to natural stone, this material is lighter, harder, and resistant to oil, stains, and corrosion. It is fireproof, anti-aging, non-radiative, and resistant to penetration. The material does not deform, and it can be bent and seamlessly bonded according to customer requirements. It is available in standard sheet sizes of 620\*1220 mm and 1220\*2440 mm.



Artificial jade has a wide range of applications. On a smaller scale, it can be used in translucent wall panels for homes, translucent furniture, sliding doors, various countertops, dining tables, coffee tables, doors, translucent lampshades, lighting fixtures, lamp posts, and decorative crafts, all of which have a unique decorative effect. On a larger scale, it is used in hotels, cafes, parks, shopping malls, and other entertainment venues for creating high-end translucent lighting fixtures.

Production Process: The product size, thickness, and specifications can be adjusted as needed. The standard size is 1200\*2400\*5mm, with a maximum length of 4 meters and a maximum thickness of 100mm. It can be cut, drilled, and bonded, and can be produced in either semi-translucent or fully translucent forms.



The Washi paper light guide panel is made from a special type of Washi paper that features various patterns. The unique texture and translucency of the Washi paper, combined with lighting effects, create a distinctive visual experience.



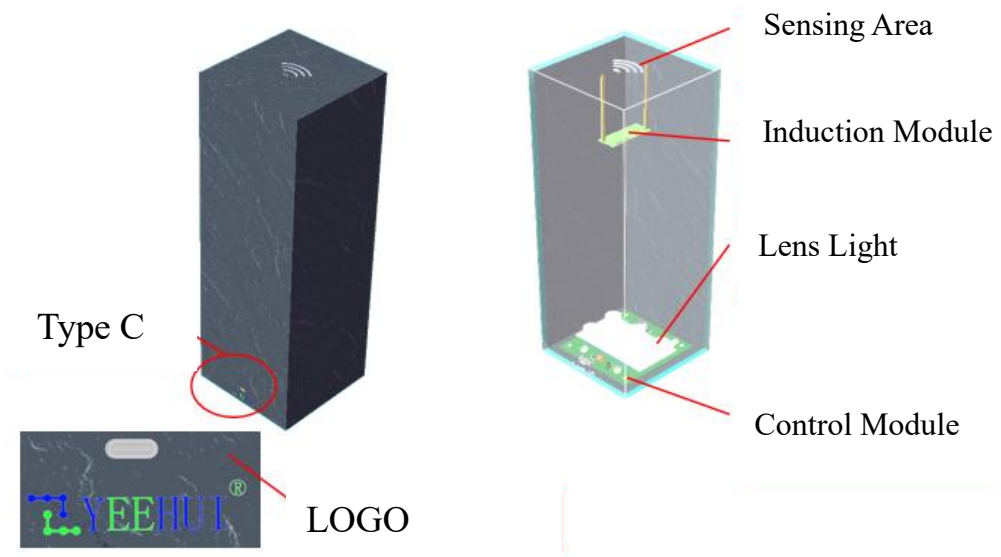
## IV. Functional characteristics

### Introduction to Smart Sensing Function

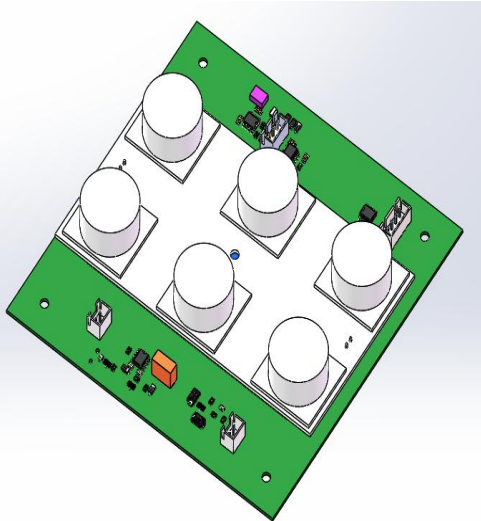
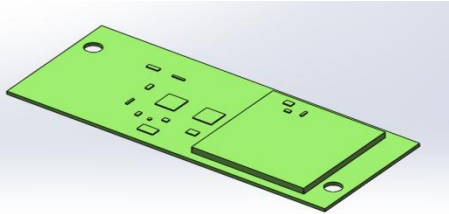
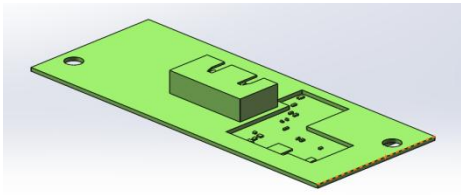
#### a. Product Overview

The panel uses a 3mm diffusion plate on the inside and natural stone on the surface, both bonded together through a special process. A microwave sensing module is installed at the top to adjust the lighting effects through gesture control.

The lighting can also be controlled via remote, allowing for free adjustment of the LED color temperature between 3000K and 6000K, depending on different settings. A lens light is installed at the bottom to ensure uniform light distribution. It has a built-in high-capacity lithium battery with a discharge time of 6 hours.



**b. Control Module Profile**



- ❖ Adopts industrial grade microwave induction module and microcontroller-based circuit;
- ❖ Gesture recognition allows for light adjustment, with a sensing distance of up to 30 centimeters;
- ❖ Wave your hand over the top of the product to turn on the light (6000-6500K); wave again to switch to warm light mode (2700-3000K); wave a third time to switch to warm white mode (4000-4500K); wave once more to turn off the light.

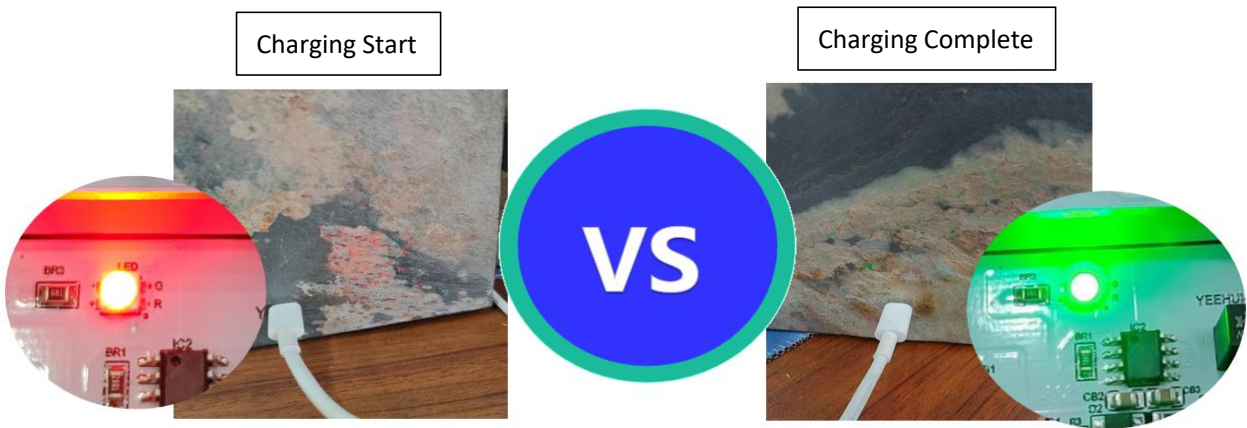
- ❖ Integrated optoelectronic control module.
- ❖ High-capacity soft-pack battery with a charging time of  $\leq 6$  hours and a battery life of  $\geq 6$  hours.
- ❖ Type-C charging port.
- ❖ Light source power: 1-3W.
- ❖ The lens controls the light distribution, ensuring uniform illumination throughout the entire lamp.
- ❖ Equipped with overcurrent, overcharge, and protection features to ensure long-term safety and reliability.



- ❖ The remote control uses radar sensing with a range of up to 10 meters. Press once to turn on cool white light, press a second time for warm light, a third time for warm white light, and a fourth time to turn off the light.
- ❖ Supports single-lamp individual control and multi-lamp remote control.

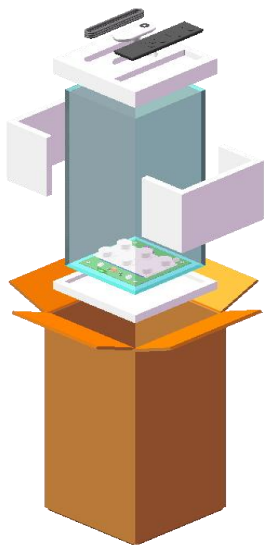


**c. Charge status display**



When charging begins, a red light will appear in the charging port area, indicating that the product is charging; When the charging port area displays a green light, the battery is fully charged.

**d. Product Packaging**



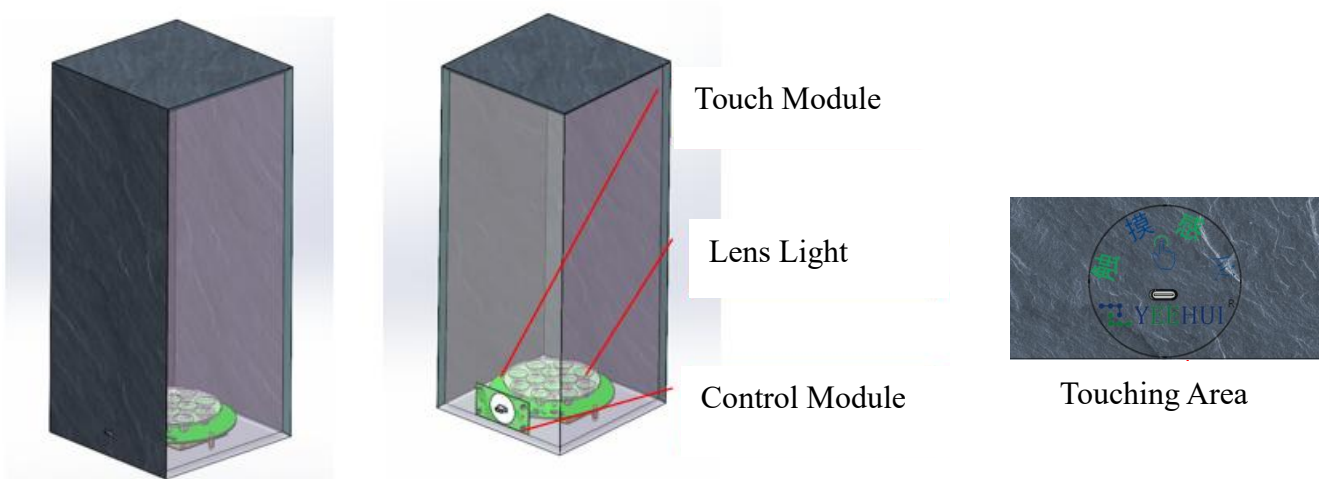
Product Model	Length*Width mm	Height/mm	Package Size/mm	Weight/kg
SZ15-150S natural stone	150 x 150	150	195*195*220	1.12
	150 x 150	300	195*195*370	1.72
	150 x 150	400	195*195*470	2.55
	150 x 150	450	195*195*520	2.65
	150 x 150	600	195*195*670	3.20

## Introduction to the touch-sensitive function

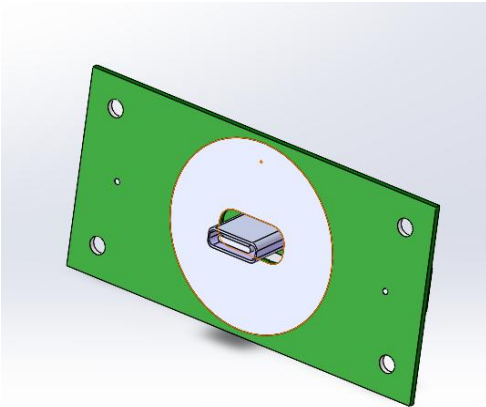
### a. Product Overview

The panel uses a 3mm diffusion plate on the inside and natural stone on the surface, both bonded together through a special process. A microwave sensing module is installed at the top to adjust the lighting effects through gesture control.

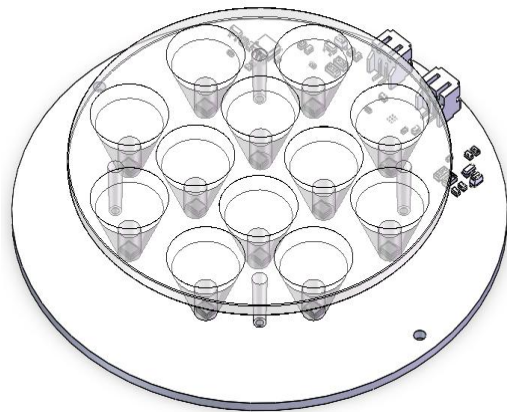
The lighting can also be controlled via remote, allowing for free adjustment of the LED color temperature between 3000K and 6000K, depending on different settings. A lens light is installed at the bottom to ensure uniform light distribution. It has a built-in high-capacity lithium battery with a discharge time of 6 hours.



**b. Control Module Profile**

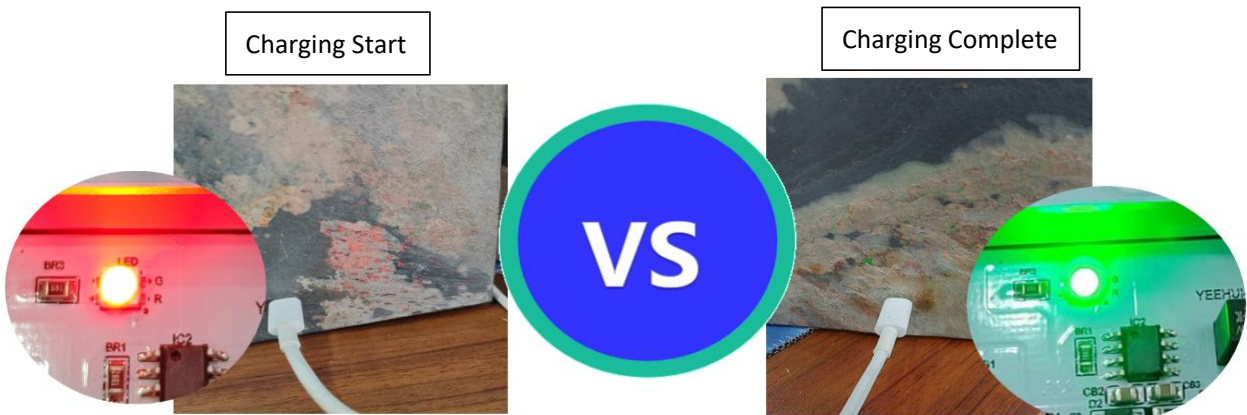


- ❖ Carefully designed touch-sensing module; highly sensitive and easy to operate;
- ❖ Simply touch on the sensing area to control the light on/off, and color temperature switching;
- ❖ Touch on the charging port area at the bottom of the product to turn on the light (6000-6500K); touch again to turn on the warm light mode (2700-3000k); touch again to turn on the warm white light mode (4000-4500K); and touch again to turn off the light.



- ❖ Integrated optoelectronic control module.
- ❖ High-capacity soft-pack battery with a charging time of ≤6 hours and a battery life of ≥6 hours.
- ❖ Type-C charging port.
- ❖ Light source power: 1-3W.
- ❖ The lens controls the light distribution, ensuring uniform illumination throughout the entire lamp.
- ❖ Equipped with overcurrent, overcharge, and protection features to ensure long-term safety and reliability.

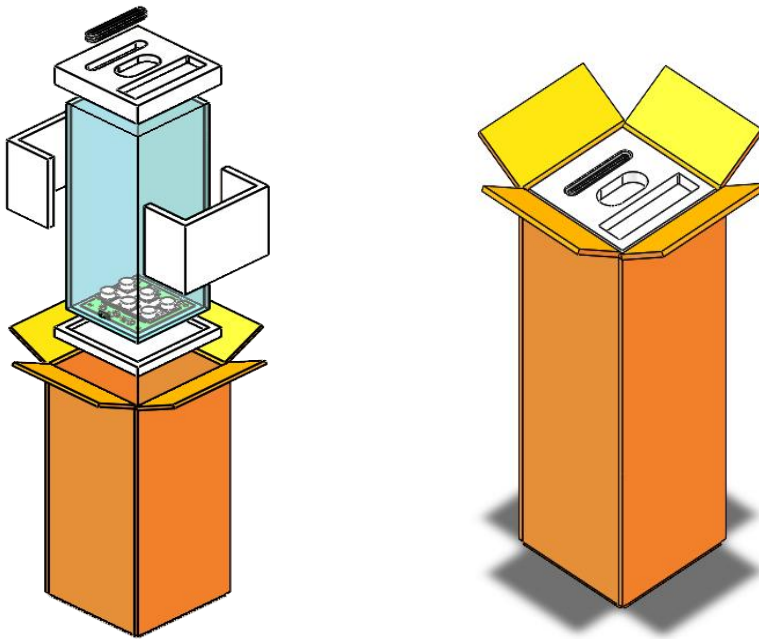
**c. Charge status display**



When charging begins, a red light will appear in the charging port area, indicating that the product is charging; When the charging port area displays a green light, the battery is fully charged.



**d. Product Packaging**



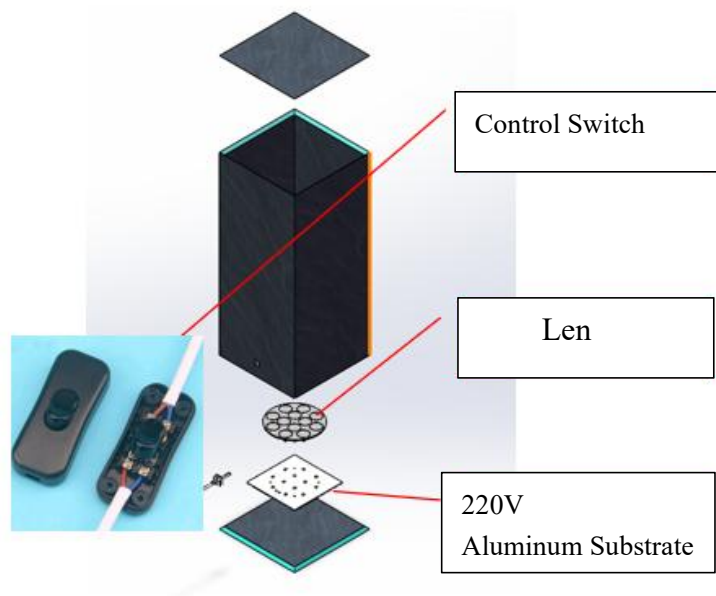
Product Model	Length*Width mm	Height/mm	Package Size/mm	Weight/kg
SZ15-150S Washi Paper Touch Sensor	150 x 150	150	195*195*220	0.98
	150 x 150	300	195*195*370	1.95
	150 x 150	400	195*195*470	2.61
	150 x 150	450	195*195*520	2.93
	150 x 150	600	195*195*670	3.91

Product Model	Length*Width mm	Height/mm	Package Size/mm	Weight/kg
SZ15-150Y translucent onyx Touch Sensor	150 x 150	150	195*195*220	1.27
	150 x 150	300	195*195*370	2.55
	150 x 150	400	195*195*470	3.41
	150 x 150	450	195*195*520	3.82
	150 x 150	600	195*195*670	5.11

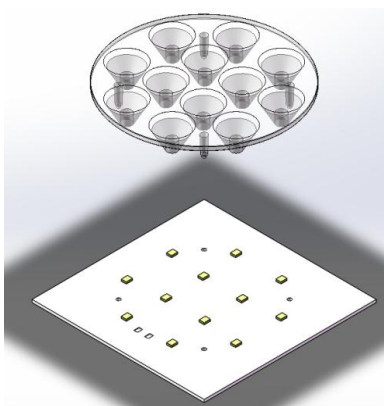
## Introduction to Remote Control Function

### a. Product Overview

The panel uses a 3mm diffusion plate on the inside and natural stone on the surface, both bonded together through a special process. A microwave sensing module is installed at the top to adjust the lighting effects through gesture control. The lighting can also be controlled via remote, allowing for free adjustment of the LED color temperature between 3000K and 6000K, depending on different settings. A lens light is installed at the bottom to ensure uniform light distribution.



### b. Control Module Profile

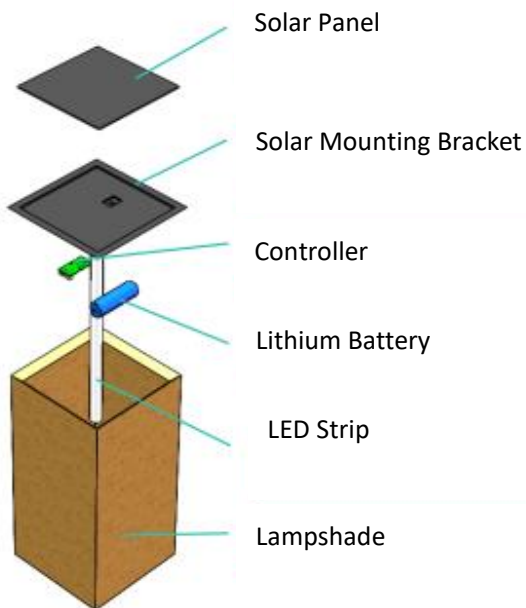


- ❖ Carefully designed AC 220V circuit; custom wide voltage input of 100-240V is also available (with minimum order quantity).
- ❖ The product comes with a 1.5-meter cable, with a control switch in the middle of the cable to operate the light.
- ❖ Switch on the light (6000-6500K); switch on the light again and turn on the warm light mode (2700-3000k); switch on the light again and turn on the warm white light mode (4000-4500K); switch on the light again and turn off the fixture.

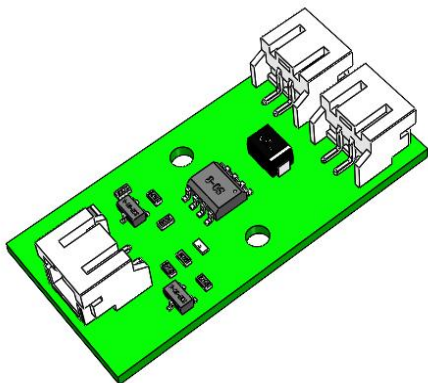
## Introduction to Solar System Model

### a. Product Overview

The SZ15-150T solar stone ambient light features an 8mm diffusion plate on the inside and natural stone on the surface, both bonded together through a special process. A 5-6V solar panel is installed on top. The light is equipped with a built-in lithium battery and a carefully designed integrated photosensitive controller, along with a custom 5V constant current LED strip with a color temperature of 3000K. The light source emits 360-degree illumination, and the entire product is sealed with adhesive, achieving an IP66 waterproof rating. During the day, it charges using sunlight, and when ambient light falls below 10 lux, the lamp automatically turns on with a discharge time of  $\geq 6$  hours.



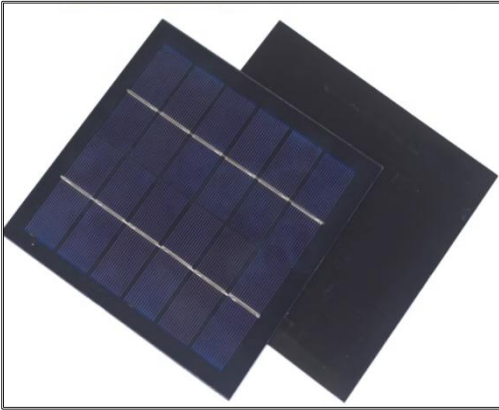
### b. Control Module Profile



- ❖ **Integrated Photosensitive Solar Controller:** Designed to manage the electricity generated by the solar panel, controlling the charging process of the battery to prevent overcharging. It also controls the battery discharge to the load when needed, preventing over-discharge.

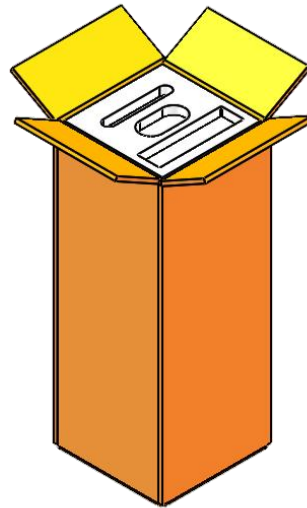
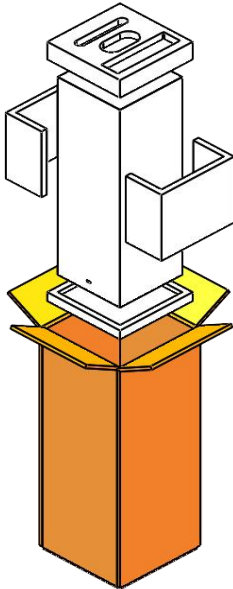
- ❖ **Protection Features:** Includes over-voltage, over-current, and short-circuit protection to ensure the system operates safely and stably. protection functions to ensure the safe and stable operation of the system.





- ❖ Polycrystalline Silicon Solar Panel: Voltage of 5-6V
- ❖ Dimension: 130\*130\*2.5mm;
- ❖ Conversion Efficiency ≥ 17%;
- ❖ Operating Temperature: -40~85°C.

1. Product Packaging:



Product Model	Length*Width mm	Height/mm	Package Size/mm	Weight/kg
SZ15-150Y translucent onyx Touch Sensor	150 x 150	150	195*195*220	1.41
	150 x 150	300	195*195*370	2.82
	150 x 150	400	195*195*470	3.76
	150 x 150	450	195*195*520	4.23
	150 x 150	600	195*195*670	5.64

## V. Application Scenarios



**Hotel**



**Seaside**



**Home**



**Art Space**



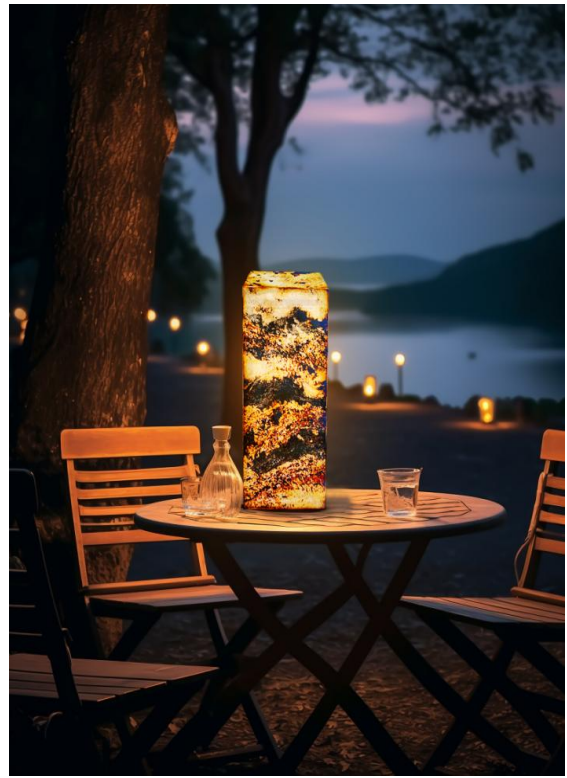
**Office**



**Cafe**



**Courtyard**



**Camping Site**



VI. Certificate

